

MTD55
23 kg



FEATURES

- **Auto-reverse Drum:** the drying process is more efficient; offers better uniformity; avoiding the tangling of big pieces.
- **Frequency inverter:** controls rotating speed and reverse drum action.
- **Filter drawer** with wide surface and improved airflow made of stainless steel.
- Outer casing in **grey skin-plate**, stainless steel look.
- **Stainless Steel Drum.**
- **3 different ranges:**
 - **"MP Control"** range: easy and intuitive **electronic** control offers a complete control of the process: possibility to select required drum speed, statistics control, technical menu, alarms, etc. 10 standard programs that can be modified.
 - **"M Control"** range: easy to use analogic control with time and temperature selection.
 - **"Self-Service"** range: specific MP control for the self-service industry with several payment options: central payment, coin/token or with prepaid card systems.
- **Soft Touch:** the stamped drum perforations make sure the liner is gently handled, lengthening the garments lifetime.
- **Mixed Flow:** the system of mixed axial-radial airflow increases the efficiency of the whole drying process due to the improvement of the air-flow inside the drum.
- Big loading door (opening of 180°).
- Transmission of movement by gear motor (direct drive).
- Cool Down: anti-wrinkle at the end of cycle.

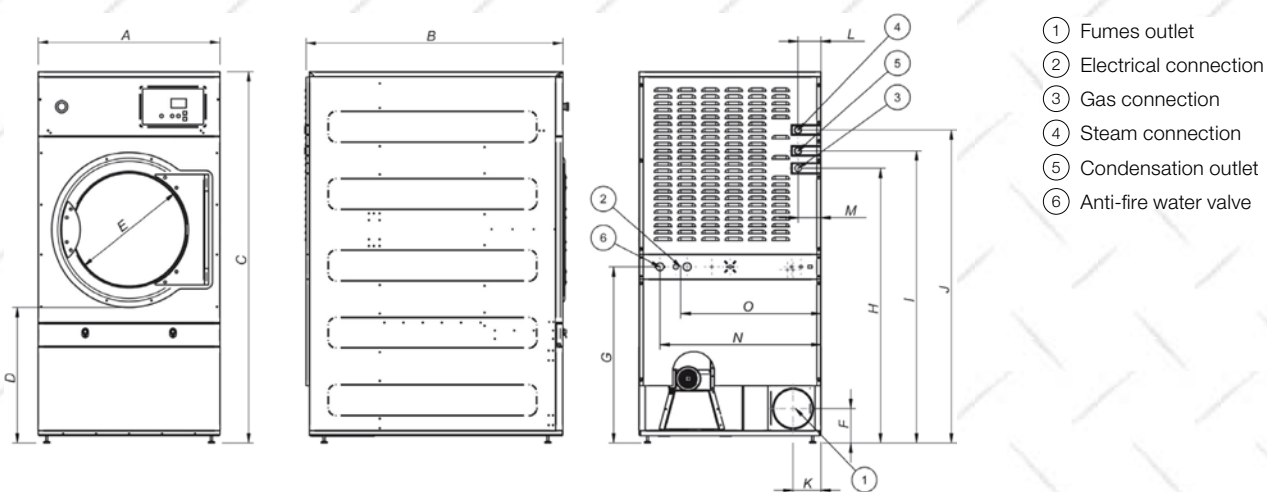
OPTIONS:

- **iDRY** (MP Control models only): humidity sensor that offers a precise humidity control; by this system the drying cycle will automatically stop when it reaches the set level of residual humidity.
- **Fire Care System** (MP Control models only).
- Double door-glass.
- Stainless steel body.
- Stainless steel front panel.
- Low pressure steam battery.
- Model versions in 60 Hz.
- Marine versions 440V III 50/60 Hz
No neutral or 480V III 50/60 Hz
No neutral.

Models available in electric,
gas or steam heating.

TECHNICAL DATA

TECHNICAL DATA	UNIT.	MTD55		
CAPACITY				
Capacity	lbs	55		
Capacity	kg	23		
Hourly Output	kg/h	46		
Evaporation capacity	l/h	23,9		
DRUM				
Ø Drum	mm	855		
Ø Door	mm	574		
Door center height	mm	1030		
Load hole bottom height	mm	743		
Drum length	mm	800		
Drum volume	l	460		
POWER				
Drum motor power	kW	0,37		
Fan Motor Power	kW	0,55		
Total Installed power	kW	24,97		
Electric Heating (Installed power)	kW	24		
Gas heating (installed Power) in kW	kW	31		
Gas heating (installed el. power)	kW	0,97		
Steam heating (Steam Power kW)	kW	49,2		
Steam heating (installed el. power)	kW	0,97		
CONNECTIONS				
Tension 230V - I + T	N° x mm ² / A	-	ELECTRICAL	STEAM / GAS
Tension 230V - III + T	N° x mm ² / A	4 x 25 / 80A		3 x 1,5 / 20A
Tension 400V - III + N + T	N° x mm ² / A	5 x 10 / 40A		4 x 1,5 / 20A
Ø Gas inlet	BSP			5 x 1,5 / 20A
Ø Steam inlet	BSP			1/2"
Ø Condensed (Steam models)	BSP			1"
DIMENSIONS / PACKING DIMENSIONS				
Width / Width	mm			890 / 970
Depth / Depth	mm			1.245 / 1.345
Height / Height	mm			1.812 / 1.940
Height without heating battery	mm			-
Net weight / Gross weight	kg			210 / 230
OTHERS				
Max airflow	m ³ /h			1200
Ø Fume exhaust	mm			200
Sound level	dB			65



	A	B	C	D	E	F	G	H	I	J	K	L	M	N	O
MTD55	890	1.245	1.817	672	574	168	862	1.344	1.430	1.532	137	113	112	787	685