

MTD25 - MTD35
11 - 16 kg



FEATURES

- **Auto-reverse Drum:** the drying process is more efficient; offers better uniformity; avoiding the tangling of big pieces.
- **Frequency inverter:** controls rotating speed and reverse drum action.
- **Filter drawer** with wide surface and improved airflow made of stainless steel.
- Outer casing in **grey skin-plate**, stainless steel look.
- **Stainless Steel Drum.**
- **3 different ranges:**
 - **"MP Control"** range: easy and intuitive electronic control offers a complete control of the process: possibility to select required drum speed, statistics control, technical menu, alarms, etc. 10 standard programs that can be modified.
 - **"M Control"** range: easy to use analogic control with time and temperature selection.
 - **"Self-Service"** range: specific MP control for the self-service industry with several payment options: central payment, coin/token or with prepaid card systems.
- **Soft Touch:** the stamped drum perforations make sure the liner is gently handled, lengthening the garments lifetime.
- **Mixed Flow:** the system of mixed axial-radial airflow increases the efficiency of the whole drying process due to the improvement of the air-flow inside the drum.
- Big loading door (opening of 180°).
- Transmission of movement by gear motor (direct drive).
- Cool Down: anti-wrinkle at the end of cycle.

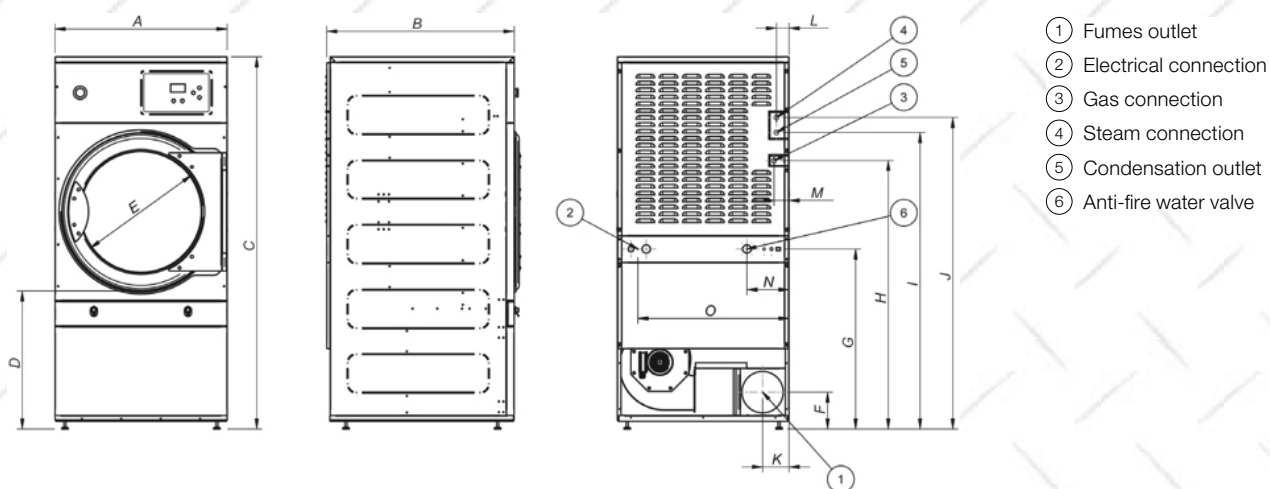
Models available in electric, gas or steam heating.

OPTIONS:

- **iDRY** (MP Control models only): humidity sensor that offers a precise humidity control; by this system the drying cycle will automatically stop when it reaches the set level of residual humidity.
- **Fire Care System** (MP Control models only).
- Double door-glass.
- Stainless steel body.
- Stainless steel front panel.
- Low pressure steam battery.
- Model versions in 60 Hz.
- Marine versions 440V III 50/60 Hz No neutral or 480V III 50/60 Hz No neutral.

TECHNICAL DATA

TECHNICAL DATA	UNIT.	MTD-25-MP	MTD-35-MP		
CAPACITY					
Capacity	lb	25	35		
Capacity	kg	11	16		
Hourly Output	kg/h	21	33		
Evaporation capacity	l/h	10,9	17,2		
DRUM					
Ø Drum	mm	750	750		
Ø Door	mm	574	574		
Door center height	mm	976	976		
Load hole bottom height	mm	689	689		
Drum length	mm	475	746		
Drum volume	l	210	330		
POWER					
Drum motor power	kW	0,25	0,25		
Fan Motor Power	kW	0,25	0,25		
Total Installed power	kW	12,55	18,55		
Electric Heating (Installed power)	kW	12	18		
Gas heating (installed Power) in kW	kW	20,51	20,51		
Gas heating (installed el. power)	kW	0,55	0,55		
Steam heating (Steam Power kW)	kW	30	30		
Steam heating (installed el. power)	kW	0,55	0,55		
CONNECTIONS					
Tension 230V - I + T	Nº x mm ² / A	3 x 35 / 63A	3 x 1,5 / 20A	-	3 x 1,5 / 20A
Tension 230V - III + T	Nº x mm ² / A	4 x 10 / 40A	4 x 1,5 / 20A	4 x 16 / 63A	4 x 1,5 / 20A
Tension 400V - III + N + T	Nº x mm ² / A	5 x 4 / 25A	5 x 1,5 / 20A	5 x 10 / 32A	5 x 1,5 / 20A
Ø Gas inlet	BSP	1/2"			1/2"
Ø Steam inlet	BSP	3/4"			3/4"
Ø Condensed (Steam models)	BSP	3/4"			3/4"
DIMENSIONS / PACKING DIMENSIONS					
Width / Width	mm	785 / 865			785 / 865
Depth / Depth	mm	840 / 940			1.110 / 1.210
Height / Height	mm	1.694 / 1.840			1.694 / 1.840
Height without heating battery	mm	-			-
Net weight / Gross weight	kg	172 / 180			187 / 200
OTHERS					
Max airflow	m ³ /h	850			850
Ø Fume exhaust	mm	200			200
Sound level	dB	64			64



	A	B	C	D	E	F	G	H	I	J	K	L	M	N	O
MTD25	785	840	1.700	618	574	168	821	1.226	1.354	1.422	195	56	68	192	690
MTD35	785	1.010	1.700	618	574	168	821	1.226	1.354	1.422	195	56	68	192	690