

Standard Features :

- Steam or Gas heating
- Gas heated models for Natural or LP gas
- Variable speed drive with soft-start
- Electronic temperature control with digital read out
- Jog forward/reverse
- Full exhaust canopy with external blower
- Electrical and mechanical protection devices
- Three phase electrical service
- Chrome plated cylinder



Optional Features :

- Single phase electrical service

MFIP Series

MODELS :

MFIP-14x78, MFIP-14x100, MFIP-14x120

MFIP Series - COMPACT PROFESSIONAL ECONOMY IRONERS

The MaxiFinish MFIP Series - Compact Professional Economy Ironers for General Laundry Applications Demanding High Quality Standard of Finished Linen

Economical, Safe and User Friendly at a Surprisingly Affordable Price

The MFIP series ironers are ideal for small to medium size hotels, restaurants, health care, party rental and drycleaners. They produce high quality linen finish easily and efficiently. These ironers have high evaporation power and can save in energy costs. The frame is built with high quality carbon steel primed and painted for long life. The ironing cylinder is chrome plated and supported by heavy-duty lubricated bearings. A large efficient fan pulls evaporated moisture away from the cylinder. Nomex ironing belts are installed, which prevent absorption of moisture while, ironing extends the life of all feed components. The machine's compact design occupies very little space as the finished linen is discharged to the front. This return system requires only one operator to iron the linen.

Easy to Use Controls and a High Efficiency Inverter Drive for Flexibility

The MFIP series is equipped with a simple-to-use control system that provides precise temperature regulation. The temperatures are shown on a digital readout. The electronic temperature control provides for adjustment of the ironing temperature at any time during operation. A standard high efficiency variable speed inverter controls the speed in an extended speed range to suit the wide variety of fabrics and moisture retentions. The speed can be adjusted at any time during operation. The variable speed drive provides the inverter that reduces the stress on drive components including sprockets, bearings, shafts and chains.



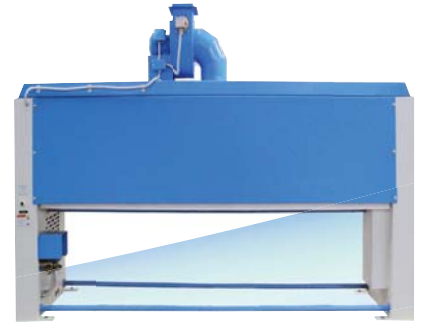
Highest Level of Safety

Thoughtful engineering ensures conformity to world safety standards. The control is simple, yet versatile, and has all the safety features that are required to protect the machine and the operator. Features such as electrical circuit protection, emergency stops, safety labels and hand guard with double safety across the full width of the ironer provides peace of mind, as well as long machine life with less maintenance. Environmentally safe temperature resistant textile padding and belts are used. A full size canopy with a powerful exhaust fan (outside for easy cleaning) is provided to optimize vapor evaporation and combustion by-products (gas heated models). A fully enclosed back keeps the heat inside the ironer thus reducing the radiant temperature while saving energy.



The Benefit of Ironing and Total Solutions

Discover the affordable alternative and enjoy quality, reliability and trouble free operation. Several factors can significantly affect laundry equipment performance and operational throughput, as well as the quality of the linen being cleaned and finished in the laundry process.



Using high-speed MaxiFinish washer-extractors in combination with MaxiFinish ironers improves the productivity and increases the quality. The most efficient way of removing moisture from linen is by high extraction and ironing. Our ironers are built to handle the linen direct from our washers.

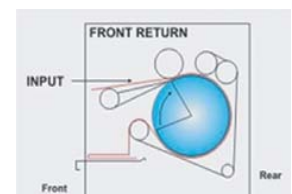


This is the most economical way of producing high quality work as MaxiFinish total solutions enables savings in energy, time and labour. In addition, the capital expenses for MaxiFinish quality ironers are significantly lower making it the best for less. The MaxiFinish ironers are designed for simplicity without complicated controls and devices, therefore preventing causes which can stop production.



Discover the features and the value of MaxiFinish ironers and other products for any laundry application, from family drycleaning-laundry operations to large industrial high productivity operations. MaxiFinish can supply total solutions of laundry equipment which will benefit you most.

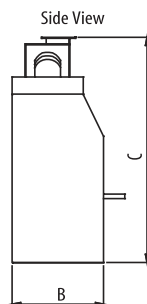
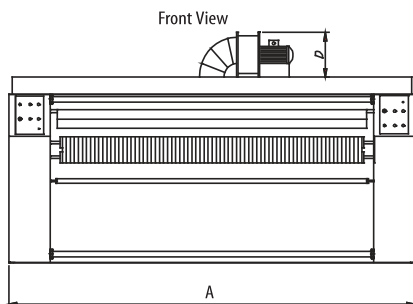
Ironed linen conveys a message of first class quality and cleanliness. Linen that is tumble dried only often gives the impression that it has already been used by a previous guest. Our ironers provide the finest quality finish to laundry, crisply ironing linen such as napkins, bedsheets and pillowcases.



SPECIFICATION

MODEL			MFIP-14x78	MFIP-14x100	MFIP-14x120
Units of Measurement	Metric	US			
Number of Rolls	Roll		1	1	1
Roller Diameter	mm.	inch	355.6 (14")	355.6 (14")	355.6 (14")
Working Width	mm.	inch	2000 (78")	2550 (100")	3000 (118.1")
Speed Range	M/min	Ft/min	1.8-11 (6-36)	1.8-11 (6-36)	2.5-11 (8-36)
Overall Dimensions :					
A - Machine Width					
: Gas Model	mm.	inch	2500 (98.4")	3050 (120.1")	4060 (159.8")
: Steam Model	mm.	inch	2840 (111.8")	3380 (133.1")	4060 (159.8")
: Electric Heated Model	mm.	inch	2500 (98.4")	3050 (120.1")	4060 (159.8")
B - Machine Depth	mm.	inch	670 (26.4")	670 (26.4)	1262 (49.7")
C - Machine Height at full	mm.	inch	1744 (68.7")	1744 (68.7")	2213 (87.1")
D - Canopy Height	mm.	inch	340 (13.4")	340 (13.4")	380 (14.9")
Drive System :					
Drive Motor	kW	HP	0.37 (0.5)	0.37 (0.5)	0.75 (1)
Delivery Motor	kW	HP	-	-	0.25 (0.33)
Blower Motor	kW	HP	0.37 (0.5)	0.37 (0.5)	0.75 (1)
Power System :					
Power Source	V / Hz / Ph		220/380/415 V / 50 Hz / 3 Ph 208-220/440/460 V / 60 Hz/ 3Ph		
Compressed Air System :					
Air Flow	Cmm	Cfm	30.6 (1080)	30.6 (1080)	30.6 (1080)
Exhaust Duct	mm.	inch	203.2 (8)	203.2 (8)	228.6 (9)
Gas Model :					
Gas Inlet Connection	NPT		1/2"	1/2"	1/2"
Gas Consumption	kcal/hr	btu/hr	142290 (564652)	142290 (564652)	260000 (1031763)
Net Weight	kg.	lbs.	660 (1455)	793 (1748)	1450 (3197)
Domestic Shipping Weight	kg.	lbs.	695 (1532)	843 (1858)	1574 (3470)
Steam Model :					
Steam Inlet Connection	NPT		3/4"	3/4"	3/4"
Steam Outlet Connection	NPT		1/2"	1/2"	1/2"
Steam Pressure	bar	psi	6.2-8.6 (90-125)	6.2-8.6 (90-125)	6.2-8.6 (90-125)
Steam Consumption	kg/hr	lb/hr	28.17 (62.1)	28.17 (62.1)	59.47 (131.1)
Net Weight	kg.	lbs.	661(1457)	853 (1881)	1519 (3349)
Domestic Shipping Weight	kg.	lbs.	696 (1534)	903 (1991)	1643 (3622)
Electric Heated Model :					
Electrical Heating Power	kW		12	12	24
Net Weight	kg.	lbs.	662 (1459)	793 (1748)	1585 (3494)
Domestic Shipping Weight	kg.	lbs.	697 (1537)	843 (1858)	1709 (3768)

Specification of design is subject to change without notice. For additional options please consult factory and distributor.



4317 E. Genesee Street Suite 100 DeWitt, New York 13214 USA
 Phone: 315 446-2180 Fax: 315-446-2431
 E-mail: sales@maxico.com