

MFI-14-56-MP
MFI-14-63-MP
MFI-14-79-MP



FEATURES

Dries and irons in a single operation directly from a high speed spin washer extractor.

Front feeding and return of the linen.

Microprocessor with 7 preset speeds of ironing.

Single roll \varnothing 325 mm in polished steel.

3 available working widths 1m40, 1m60 and 2 m.

Stainless steel panels.

Motor with speed inverter.

Built-in cool down system.

Feeding and ironing by Nomex bands.

Double emergency stops: hands safety bar and front emergency push-button.

Heating protection by 2 thermostats.

Electric, steam or gas heated.

Two versions of gas heated models:

Gas model with atmospheric burner.

NEW gas model with radiant burner.

25% gas consumption savings and 25% more production.

CE, ETL and gas certifications.

OPTIONS

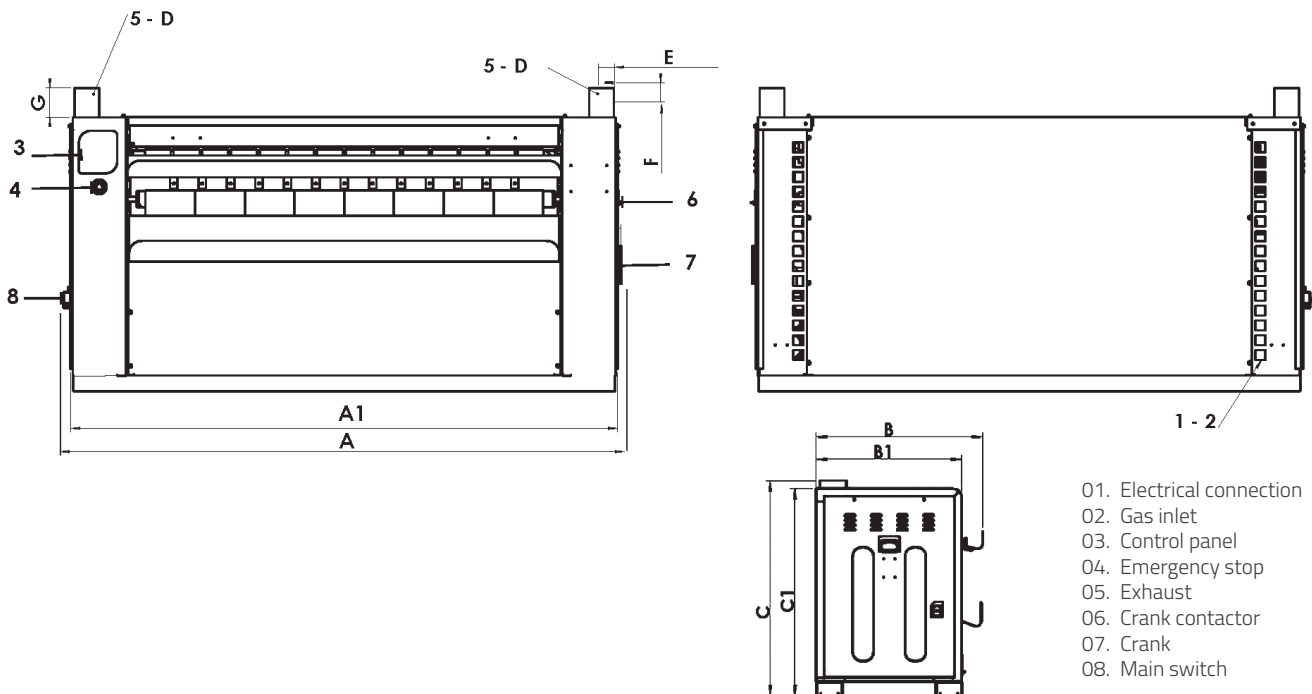
SMART SYSTEM (patented): automatic regulation of the ironing speed according to the residual moisture.

Chrome plated roll.

Reversing roll.

Other voltages different to standard one.

| TECHNICAL DATA | UNIT. | MFI-14-56 | MFI-14-63 | MFI-14-79 | | | |
|---|--------------|-------------------|--------------|-------------------|--------------|-------------------|--------------|
| DETAILS | | | | | | | |
| Theoretical production 45% humidity | Kg/h | 10-20 | 20-30 | 30-40 | | | |
| Theoretical production 45% humidity. Radiant burner | Kg/h | 12-25 | 25-37 | 37-50 | | | |
| Ø Roll | mm | 325 | 325 | 325 | | | |
| Working width | mm | 1.400 | 1.600 | 2.000 | | | |
| Height floor-feeding belts | mm | 990 | 990 | 990 | | | |
| Working speed | mt/min | 1-6,5 | 1-6,5 | 1-6,5 | | | |
| POWER | | | | | | | |
| Heating power (electric model) | kW | 12 | 16 | 21 | | | |
| Total electric power (electric model) | kW | 12,37 | 16,57 | 21,49 | | | |
| Heating power (gas model) | kW | 14 | 22,5 | 30 | | | |
| Total electric power (gas model) | kW | 0,37 | 0,37 | 0,49 | | | |
| Roll motor power | kW | 0,25 | 0,25 | 0,25 | | | |
| Fan motor power | kW | 0,12 | 0,12 | 0,12 (x2) | | | |
| CONNECTIONS | | | | | | | |
| | | ELECTRICAL | GAS | ELECTRICAL | GAS | ELECTRICAL | GAS |
| Tension 230V - III + T | N° x mm2 / A | 4 x 6 / 32A | 4 x 2,5 / 2A | 4 x 10 / 50A | 4 x 2,5 / 2A | 4 x 16 / 63A | 4 x 2,5 / 2A |
| Tension 400V - III + N + T | N° x mm2 / A | 5 x 4 / 20A | 5 x 2,5 / 2A | 5 x 4 / 25A | 5 x 2,5 / 2A | 5 x 6 / 32A | 5 x 2,5 / 2A |
| Ø Gas inlet | BSP | 1/2" | | 1/2" | | 1/2" | |
| DIMENSIONS / PACKAGING DIMENSIONS | | | | | | | |
| Width / Width | mm | 1.960/2.340 | | 2.210/2.340 | | 2.560/2.780 | |
| Depth / Depth | mm | 644/770 | | 644/770 | | 644/770 | |
| Height / Height | mm | 1.107/1.400 | | 1.107/1.400 | | 1.107/1.400 | |
| Weight / Weight | Kg | 300/335 | | 355/375 | | 405/428 | |
| Volume | m3 | 1,40/2,52 | | 1,58/2,52 | | 1,83/3,00 | |
| OTHERS | | | | | | | |
| No. Fume outlet | N° | 1 (2 gas) | | 1 (2 gas) | | 2 | |
| Ø Fume outlet | mm | 98 | | 98 | | 98 | |
| Air flow | m3/h | 500 (1.000 gas) | | 500 (1.000 gas) | | 1.000 | |
| Sound Level | dB | 60 | | 60 | | 63 | |



| | A | B | C | A1 | B1 | C1 | D | E | F | G |
|------------------|-------|-----|-------|-------|-----|-------|------|----|----|-----|
| MFI-14-56 | 2.030 | 644 | 1.247 | 1.960 | 546 | 1.107 | Ø 98 | 66 | 77 | 140 |
| MFI-14-63 | 2.280 | 644 | 1.247 | 2.210 | 546 | 1.107 | Ø 98 | 66 | 77 | 140 |
| MFI-14-79 | 2.630 | 644 | 1.247 | 2.560 | 546 | 1.107 | Ø 98 | 66 | 77 | 140 |

4317 E. Genesee Street Suite 100 DeWitt, New York 13214 USA
 Phone: 315 446-2180 Fax: 315-446-2431
 E-mail: sales@maxico.com

