



MDP-08-10 COMPACT SERIES PROFESSIONAL DRYERS



01. MORE FEATURES

- M PROGRAMMER: selection of time and temperature, user friendly and versatile (OPL or coin laundry version).
- Electric 6,75 kw heating, optional 4,5 kw (for low power installations).
- Cool Down: anti-wrinkle at the end of the cycle.
- CE approved product.

02. MORE ROBUSTNESS

- Outer casing in grey skinplate; galvanized drum.
- Robust aluminum big door with the same door lock and seal used in the industrial range.
- Largest door diameter on the market in its segment (552 mm). Easy loading and unloading of laundry.
- Drawer type stainless steel fluff filter: not in the door but as a specific drawer.
- Industrial fan and powerful air flow.
- Sturdy construction of the dryer structure and panels.

03. MORE VERSATILITY

- OPL ↔ COIN
Standard models Convertible from self-service (coin, central payment, etc.) to OPL and vice versa.
- SINGLE ↔ STACKED
Models can be stacked on top of a washer or on another dryer. Control panels can be assembled between both drums for better ergonomics.
- Ideal for multiple solutions: hotels, hostels, campings, coin laundries, facility services (mops), gyms, etc.

04. MORE EFFICIENCY

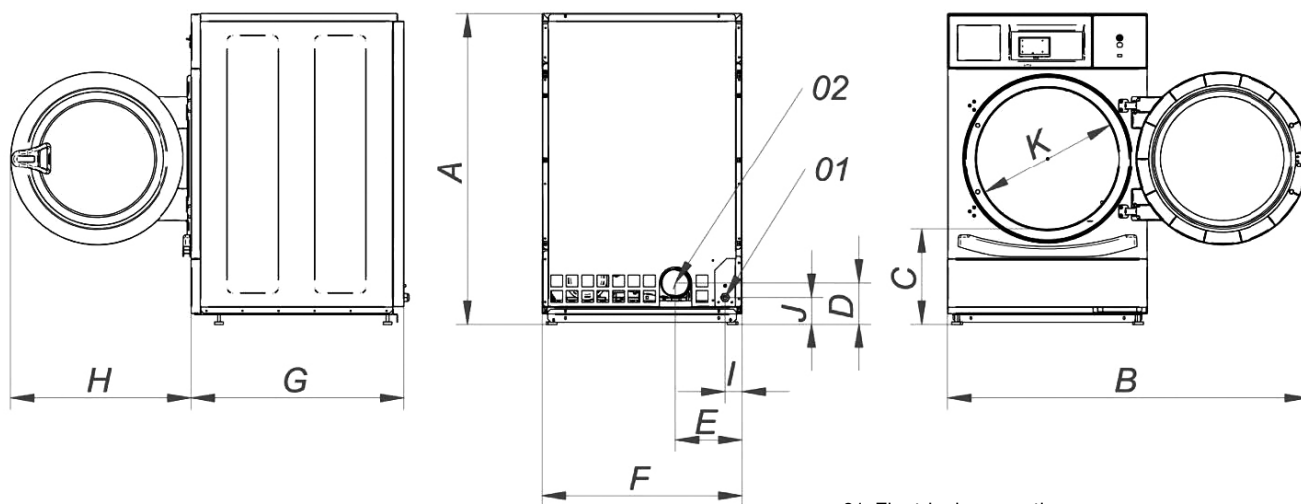
- Reduced drying times (less than 45 minutes).
- Industrial fan that provides an optimum powerful air flow (axial type).
- Big drawer type fluff filter: increases efficiency of the whole drying process thanks to improved air flow, ergonomics and facilitates cleaning.
- Efficiency driven design.

OPTIONS

- Plinth for better ergonomics.
- Stainless steel drum.
- Stainless steel outer casing.
- Console for an advanced programming of the "M control".
- Marine voltage 440V III 50/60 Hz No neutral.
- Voltage 230 V I/III 60 Hz.
- Voltage 110V 60 Hz.
- Coin /token kit.

TECHNICAL DATA

	UNIT.	MDP-08	MDP-10
CAPACITY & DRUM			
Capacity 1:20	Kg	8	10
Volume (litres)	l	160	200
Drum diameter Ø	mm	590	590
Drum depth	mm	585	690
DOOR			
Height center door	mm	545	545
Height base door	mm	250	250
Door diameter	mm	588	588
GENERAL DETAILS			
M control	-	Electronic	Electronic
Construction	-	Skinplate panels	Skinplate panels
Plinth	-	OPT	OPT
Coin laundry version	-	Yes	Yes
Noise level	dB	62	62
POWER			
Motor	kW	0,37	0,37
Electric heating	kW	6,75 / 4,5	6,75 / 4,5
CONNECTIONS			
Fume exhaust Ø	mm	100	100
Maximum air ow	m ³ /hour	300	300
DIMENSIONS / PACKING DIMENSIONS			
Width	mm	680 / 710	680 / 710
Depth	mm	722 / 832	755 / 832
Height	mm	1056 / 1141	1056 / 1141
Net weight / Gross weight	kg	89 / 101	93 / 104



01. Electrical connection

02. Exhaust outlet Ø100

	A	B	C	D	E	F	G	H	I	J	K
MDP-08	1056	1227	320	140	226	680	722	615	57	91	480
MDP-10	1056	1227	320	140	226	680	722	615	57	91	480