

Standard Features:

- 200-lb. capacity
- 61.20 cu. ft. volume
- 590,000 Btu/hr heat input and 4,200 cfm
- Radial airflow
- Easy to load vertical steel doors
- Self diagnostic microprocessor with patented auto drying feature
- Easy access to lint compartment
- Available in gas and steam heat
- Reversing basket
- Four-Point Roller Support and Drive System
- Stainless Steel Basket with removable panels



Optional Features:

- Stainless steel front and cabinet
- F.S.S. (Fire Suppression System)

Why Purchase the MD-202?

Engineer Driven Design That is Built to Last

Our dryers showcase an engineer-driven approach to design. Bearings are permanently lubricated on the motor and drive system. We use V-belts and pulleys for smooth, quiet, and trouble free operation. Our dryer cabinets are electrostatically powder-painted inside and out then baked at 420-degrees fahrenheit before final assembly - ensuring the hardest surface and the longest lasting finish in the industry.

Rugged Steel Vertical Doors with Heavy-Duty Pulley System

Our heavy-duty steel door design provides ease of use for loading and unloading utilizing a counter balanced pulley system to ensure simple open and close operation.

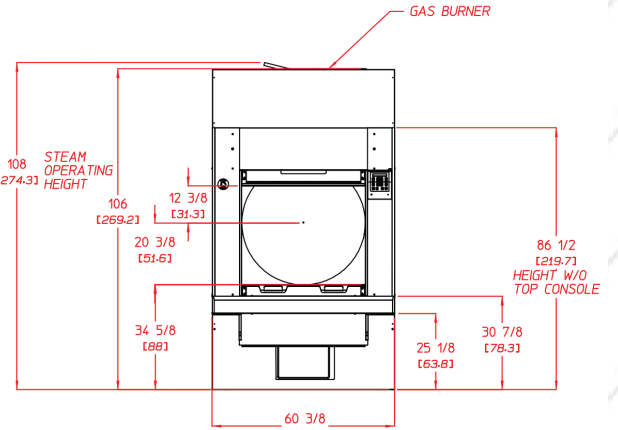
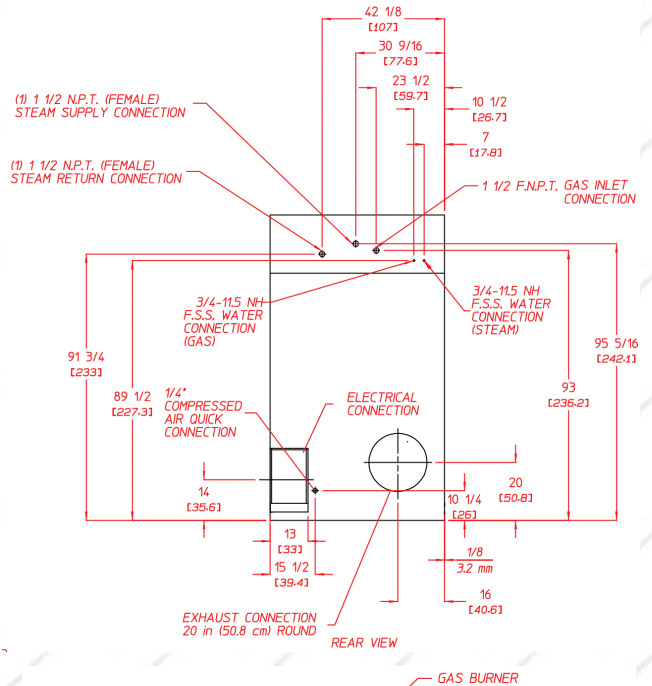
A gasket-less door glass panel provides security and durability versus rubber type gaskets.

Easy-to-Read, Multilingual Controls

MaxiDry continues to apply innovative technology to dryer operation. Our state of the art microprocessor with auto-dry capabilities, easy-to-read LED screens and our user friendly multilingual interface positions MaxiDry as a leader in the laundry industry.

M202 Specifications

Tumbler Capacity (dry weight)		200 lbs. (90.72 kg)	
Tumbler Diameter		55-5/8" (141.29 cm)	
Tumbler Depth		43-1/2" (110.49 cm)	
Tumbler Volume		61.20 cu ft (1732.99 L)	
Tumbler/Drive Motor		3 hp (2.24 kW)	
Blower/Fan Motor		7-1/2 hp (5.59 kW)	
Door Opening (Diameter)		40-3/4" (103.50 cm)	
Door Sill Height		34-5/8" (87.95 cm)	
Water Connection		3/4" - 11.5 NH	
Dryers per 20'/40' Container		3 / 7	
Dryers per 48'/53' Truck		8 / 8	
Width		60-3/8"	
Depth		54"	
Height		106"	
GAS	Voltage Available	208-575v 3ø 3,4w 50/60 Hz	
	Approx. Net Weight	2,100 lb (952.54 kg)	
	Approx. Shipping Weight	2,166 lb (982.48 kg)	
	Airflow 50/60 Hz	4,200 cfm (118.9 cmm)	
	Heat Input	590,000 Btu/hr (148,678 kcal/hr)	
	Exhaust Connection (Diameter)	20" (50.80 cm)	
	Compressed Air Connection	1/4" Quick Connection	
	Compressed Air Volume	4.25 cfm (0.12 cmh)	
	Inlet Pipe Connection	1-1/2" F.N.P.T.	
ELECTRIC	Voltage Available	N/A	
	Approx. Net Weight		
	Approx. Shipping Weight		
	Airflow		
	Exhaust Connection (Diameter)		
	Compressed Air Connection		
	Compressed Air Volume		
Oven Size			
	kW	Btu/hr	kcal/hr
STEAM	Voltage Available	208-575v 3ø 3,4w 50/60 Hz	
	Approx. Net Weight	2,349 lb (1,065.49 kg)	
	Approx. Shipping Weight	2,515 lb (1,140.78 kg)	
	Airflow 50/60 Hz	4,400 cfm (124.59 cmm)	
	Steam Consumption	540 lb/hr (245 kg/hr)	
	Operating Steam Pressure	125 psi max (8.62 bar)	
	Exhaust Connection (Diameter)	20" (50.80 cm)	
	Compressed Air Connection	1/4" Quick Connection	
	Compressed Air Volume	4.25 cfm (0.12 cmh)	
	Boiler HP (Normal Load)	14.5 Bhp	
	Standard Supply Connection*	(1) 1-1/2" N.P.T. (Female)	
Standard Return Connection*	(1) 1-1/2" N.P.T. (Female)		



* Refer to installation manual for optional steam connections.

Electrical Service Specifications					
SERVICE VOLTAGE	PHASE	WIRE SERVICE	APPROX AMP DRAW		CIRCUIT BREAKER
			60 Hz	50 Hz	
GAS & STEAM					
208	3ø	3	37.0	--	50
220	3ø	3	35.0	--	50
220	3ø	3	--	36.0	50
230	3ø	3	34.0	--	50
230	3ø	3	--	30.0	50
240	3ø	3	35.0	--	50
380	3ø	3	19.0	--	30
380	3ø	4	--	18.0	30
400	3ø	4	--	17.0	30
416	3ø	4	--	17.0	30
460	3ø	3	19.0	--	30
480	3ø	3	19.0	--	30
575	3ø	3	14.0	--	20
ELECTRIC					
220	3ø	3	312.0	--	400.0
240	3ø	3	338.0	--	425.0

